

# KYB



## MMP

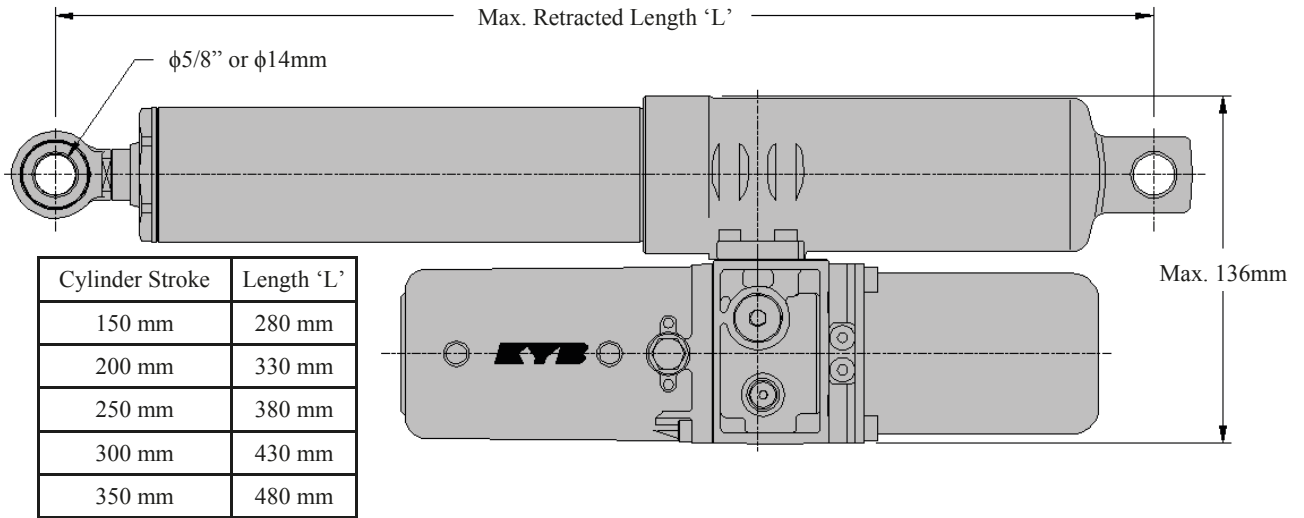
### Mini-Motion Package

The MMP is an electric over hydraulic linear actuator, featuring an electric DC motor integrated with hydraulic valves, pump and cylinder in a compact package.

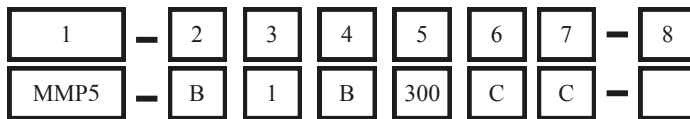
- ◆ 150 to 2600lbs extension force
- ◆ 6 to 14 inch strokes
- ◆ 12V, 24V and 100V DC electric motors
- ◆ Unlimited mounting positions
- ◆ Additional options available
- ◆ Designed for your application



## MMP DIMENSIONAL INFORMATION

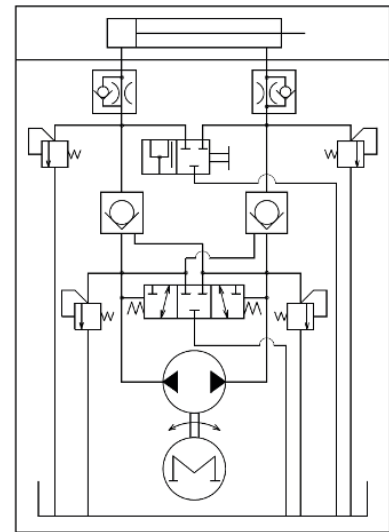


## MMP MODEL CODE



1	Model	Mini-Motion Package Type 5
2	Relief Valve Pressure	A: 4.1 MPa B: 7.1 MPa
3	Power Supply	1: 12VDC 2: 24VDC 3: 100VDC
4	Cylinder Size (mm)	O: φ34-φ20 B: φ40-φ20 R: φ46-φ20
5	Cylinder Stroke (mm)	150, 200, 250, 300, 350
6	A Port Orifice	Multiple Slow Return Valves for A and/or B Ports available depending on the application
7	B Port Orifice	
8	Options	For additional options please contact KYB

## MMP HYDRAULIC CIRCUIT



## MMP PERFORMANCE INFORMATION

